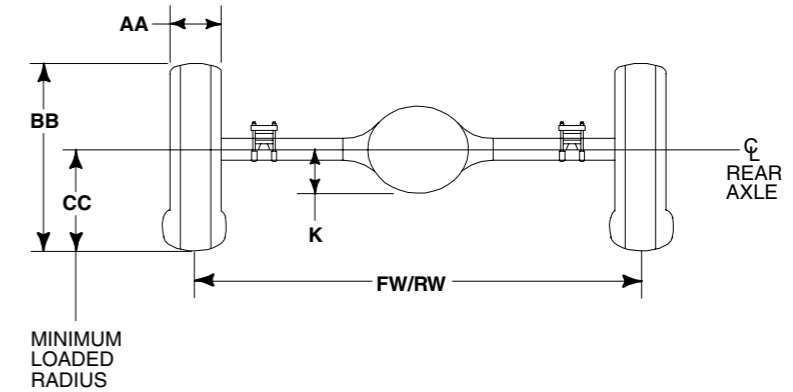
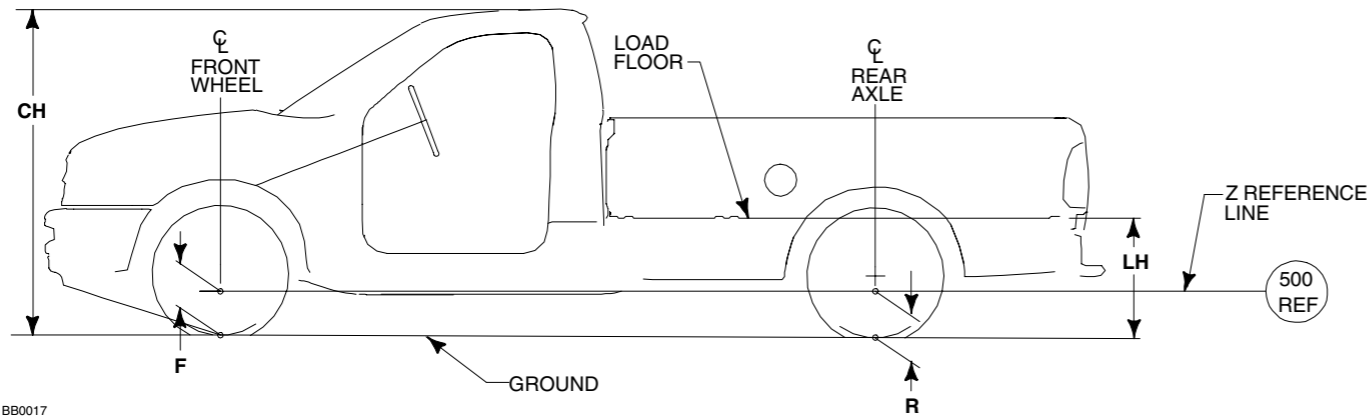


F-150 REGULAR/SUPERCAB AXLE/TIRE/VEHICLE HEIGHT DATA

2003
MODEL YEAR

F-150



BB0017

Model	WB inches	GVWR pounds	Base Tire	F Height @ Front Wheel (1)(2) mm [in]		R Height @ Rear Axle (1)(2) mm [in]		LH (1)(2) mm [in]		CH (1)(2) mm [in]		K mm [in]	AA mm [in]	BB mm [in]	CC mm [in]	FW mm [in]	RW mm [in]
				Height at Base Curb Weight	Loaded Height @ Spring Rating	Height at Base Curb Weight	Loaded Height @ Spring Rating	Empty	Loaded	Empty	Loaded						
F-150 Regular Cab 4x2 Styleside	119.9	6050	P255/70R-16SL	254 [10.0]	236 [9.3]	343 [13.5]	249 [9.8]	843 [33.2]	691 [27.2]	1864 [73.4]	1778 [70.0]	142 [5.6]	269 [10.6]	777 [30.6]	345 [13.6]	1661 [65.4]	1661 [65.4]
	138.5	6050	P235/70R-16SL	256 [10.1]	236 [9.3]	353 [13.9]	249 [9.8]	820 [32.3]	670 [26.4]	1838 [72.4]	1760 [69.3]	142 [5.6]	249 [9.8]	742 [29.2]	328 [12.9]	1661 [65.4]	1661 [65.4]
F-150 Regular Cab 4x2 Flareside	119.9	6050	P255/70R-16SL	254 [10.0]	236 [9.3]	343 [13.5]	249 [9.8]	843 [33.2]	691 [27.2]	1864 [73.4]	1778 [70.0]	142 [5.6]	269 [10.6]	777 [30.6]	345 [13.6]	1661 [65.4]	1661 [65.4]
F-150 SuperCab 4x2 Styleside	138.5	6050	P235/70R-16SL	248 [9.7]	236 [9.3]	348 [13.7]	249 [9.8]	820 [32.3]	670 [26.4]	1849 [72.8]	1763 [69.4]	142 [5.6]	249 [9.8]	742 [29.2]	328 [12.9]	1661 [65.4]	1661 [65.4]
	157.1	6050	P235/70R-16SL	256 [10.1]	236 [9.3]	348 [13.7]	249 [9.8]	818 [32.2]	673 [26.5]	1841 [72.5]	1763 [69.4]	142 [5.6]	249 [9.8]	742 [29.2]	328 [12.9]	1661 [65.4]	1661 [65.4]
F-150 SuperCab 4x2 Flareside	138.5	6050	P235/70R-16SL	248 [9.7]	236 [9.3]	348 [13.7]	249 [9.8]	820 [32.3]	670 [26.4]	1849 [72.8]	1763 [69.4]	142 [5.6]	249 [9.8]	742 [29.2]	328 [12.9]	1661 [65.4]	1661 [65.4]
F-150 Regular Cab 4x4 Styleside	120.2	6050	P255/70R-16SL	356 [14.0]	315 [12.4]	424 [16.7]	325 [12.8]	922 [36.3]	770 [30.3]	1935 [76.2]	1859 [73.2]	142 [5.6]	269 [10.6]	780 [30.7]	348 [13.7]	1661 [65.4]	1661 [65.4]
	138.8	6050	P235/70R-16SL	348 [13.7]	310 [12.2]	432 [17.0]	325 [12.8]	886 [34.9]	754 [29.7]	1907 [75.1]	1836 [72.3]	142 [5.6]	249 [9.8]	742 [29.2]	328 [12.9]	1661 [65.4]	1661 [65.4]
F-150 Regular Cab 4x4 Flareside	120.2	6050	P255/70R-16SL	356 [14.0]	312 [12.3]	424 [16.7]	325 [12.8]	922 [36.3]	770 [30.3]	1935 [76.2]	1859 [73.2]	142 [5.6]	269 [10.6]	780 [30.7]	348 [13.7]	1661 [65.4]	1661 [65.4]
F-150 SuperCab 4x4 Styleside	138.8	6250	P235/70R-16SL	348 [13.7]	307 [12.1]	424 [16.7]	325 [12.8]	886 [34.9]	754 [29.7]	1918 [75.5]	1841 [72.5]	142 [5.6]	249 [9.8]	742 [29.2]	328 [12.9]	1661 [65.4]	1661 [65.4]
	157.4	6250	P255/70R-16SL	348 [13.7]	307 [12.1]	424 [16.7]	325 [12.8]	902 [35.5]	775 [30.5]	1925 [75.8]	1857 [73.1]	142 [5.6]	269 [10.6]	780 [30.7]	345 [13.6]	1661 [65.4]	1661 [65.4]
F-150 SuperCab 4x4 Flareside	138.8	6250	P235/70R-16SL	348 [13.7]	307 [12.1]	424 [16.7]	325 [12.8]	886 [34.9]	754 [29.7]	1918 [75.5]	1841 [72.5]	142 [5.6]	249 [9.8]	742 [29.2]	328 [12.9]	1661 [65.4]	1661 [65.4]

(1) The Height Data shown represents dimensions of a base/standard vehicle with no options. Actual height may vary due to production tolerances.
 (2) Vehicle ride heights are given at tire minimum loaded radius.

NOTES — [] DIMENSIONS ARE INCHES.
 — TIRE DATA, PAGE 143.