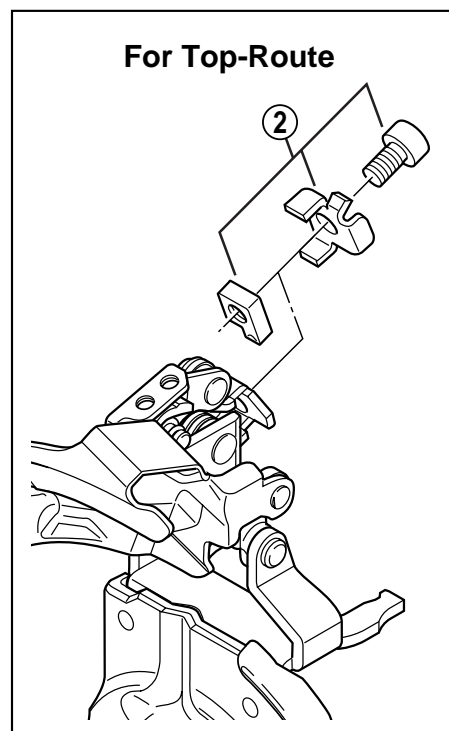
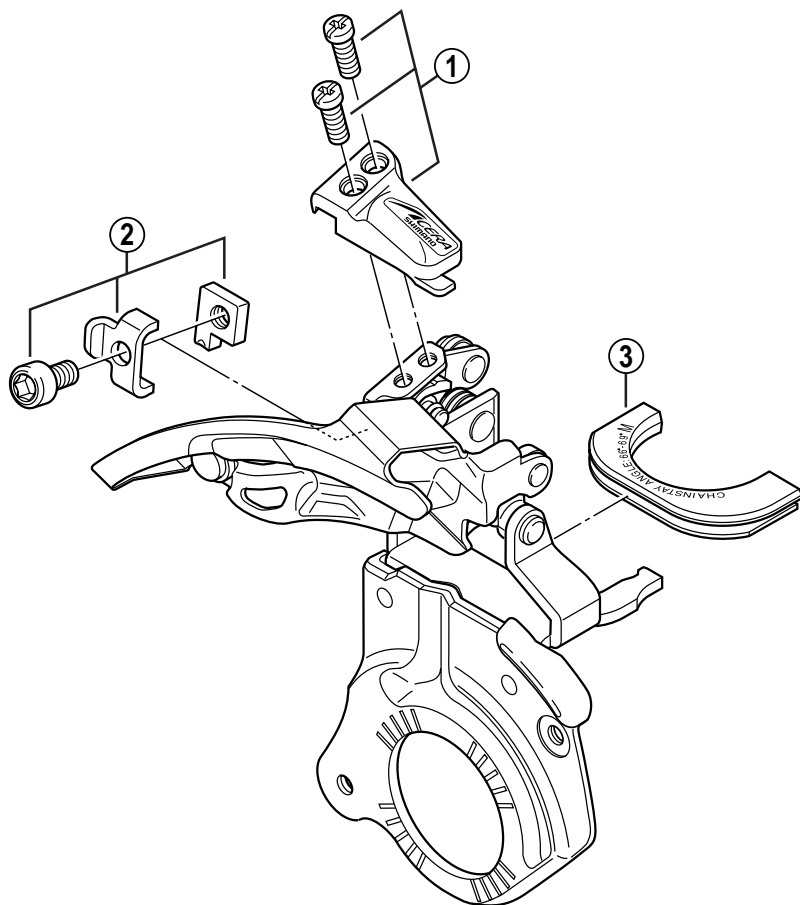


SHIMANO ACERA Top Swing Front Derailleur

FD-M330-E Bracket Type



Q'TY	ITEM NO.	SHIMANO CODE NO.	DESCRIPTION
	1	Y-5DK98010	Stroke Adjust Screws (M4 x 12) & Plate
	* 2	Y-5DK98030	Cable Fixing Bolt Unit (M5 x 9.8)
	* 2	Y-5DN98010	Cable Fixing Bolt Unit (M5 x 9.8) for Top-Route
	3	Y-59L 54200	Seat Tube Adapter (S)
		Y-5DK51100	Seat Tube Adapter (M)
		Y-59L 54400	Seat Tube Adapter (L)